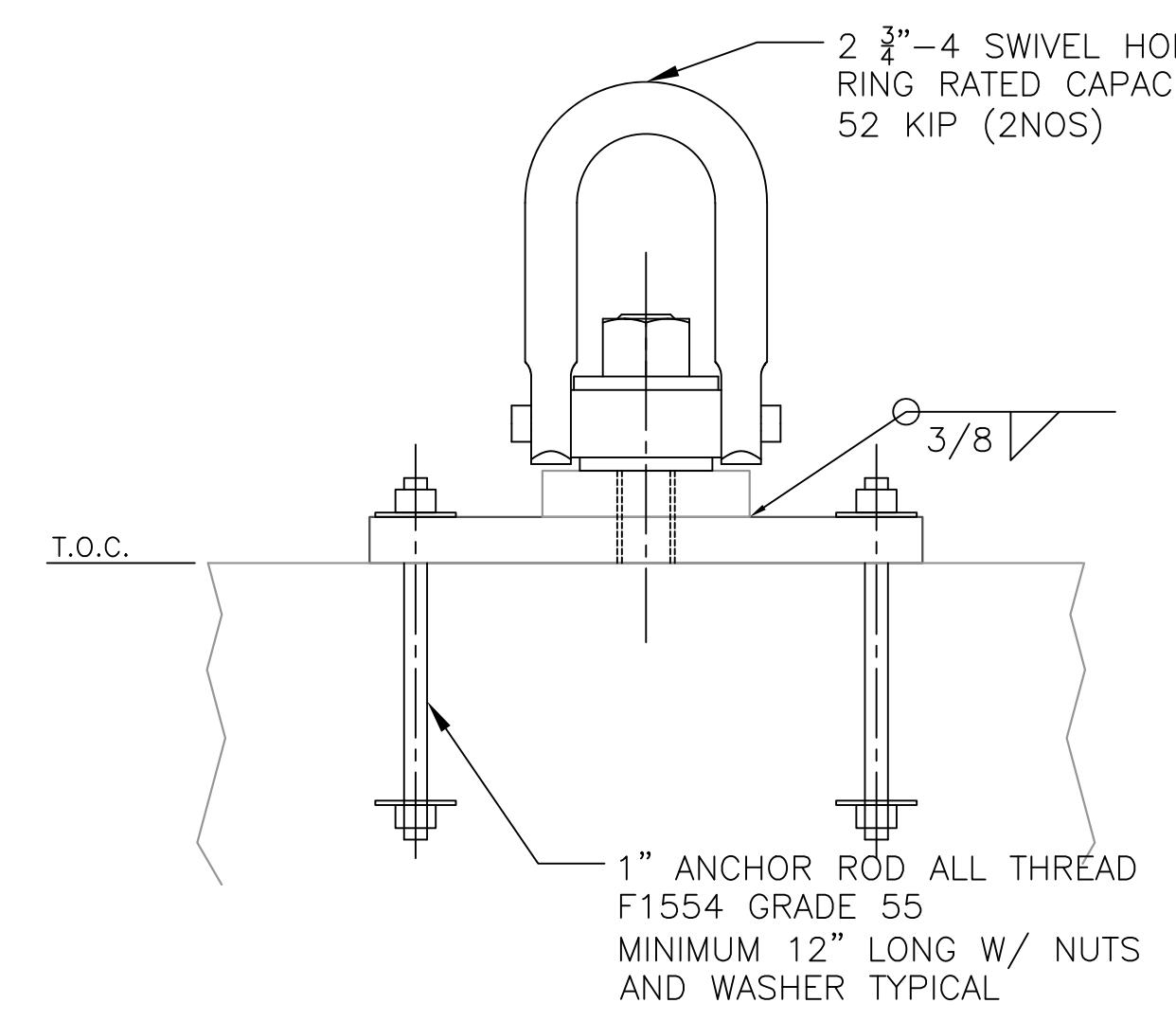
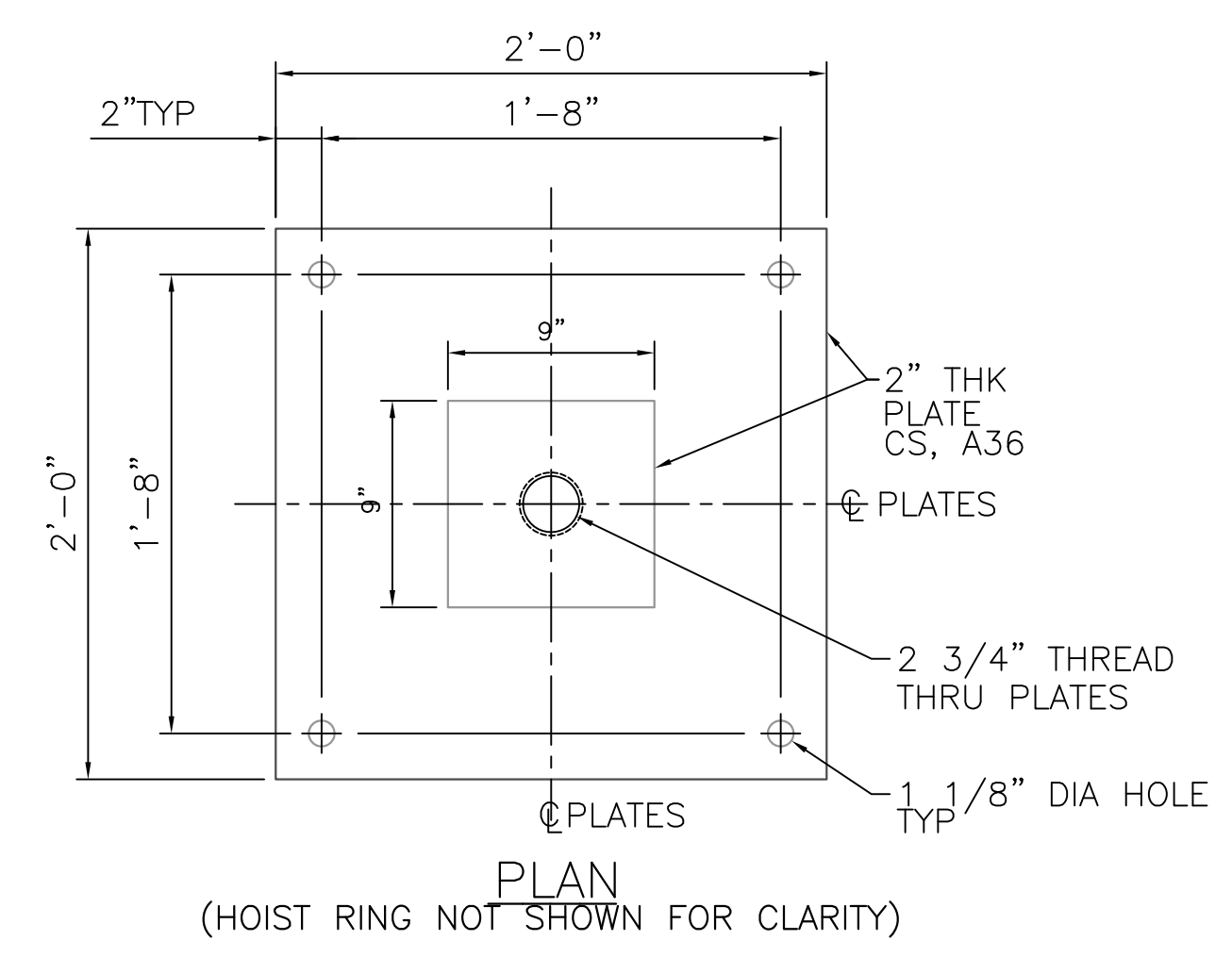
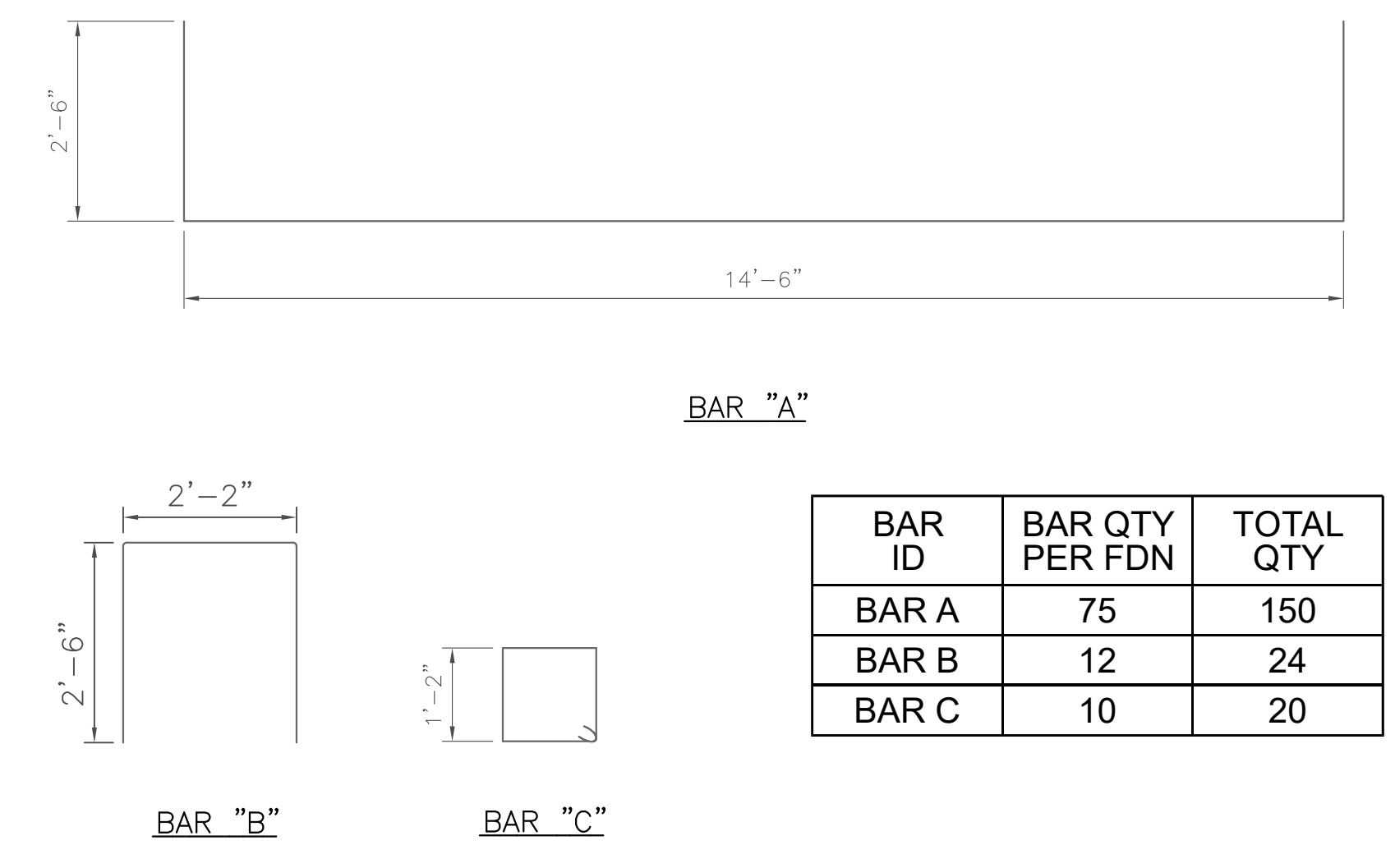


1 PILE CAP  
S105 SCALE: N.T.S.

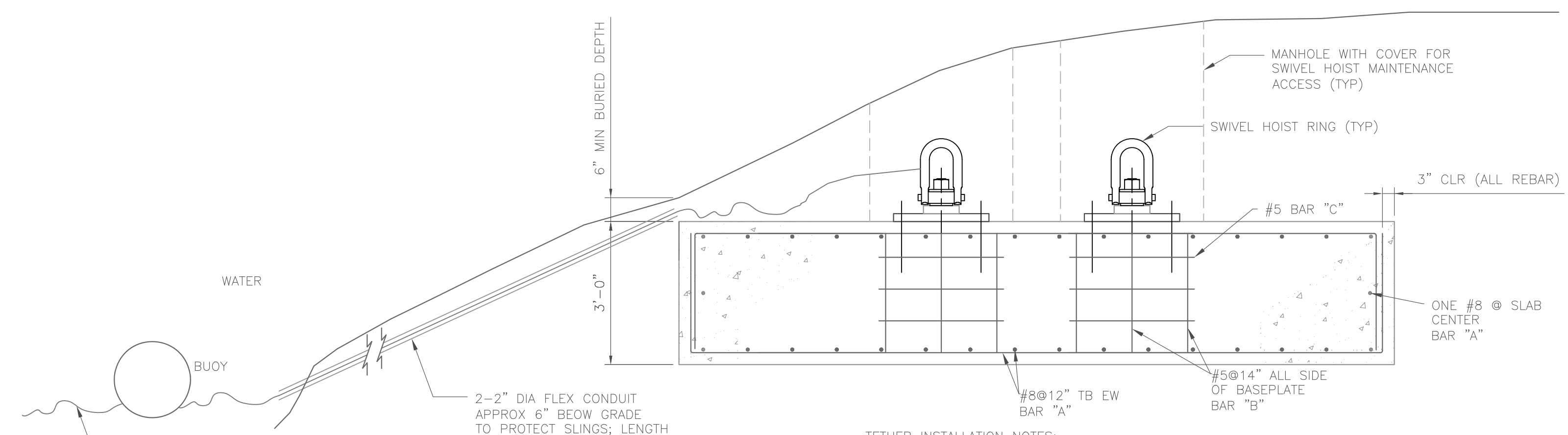


3 ANCHOR DETAIL  
S105 SCALE: N.T.S.  
NOTE: MAX 1" THICK GROUT SHALL BE USED TO ASSURE THE PLATE HAS AT LEAST 80% BEARING ON CONCRETE



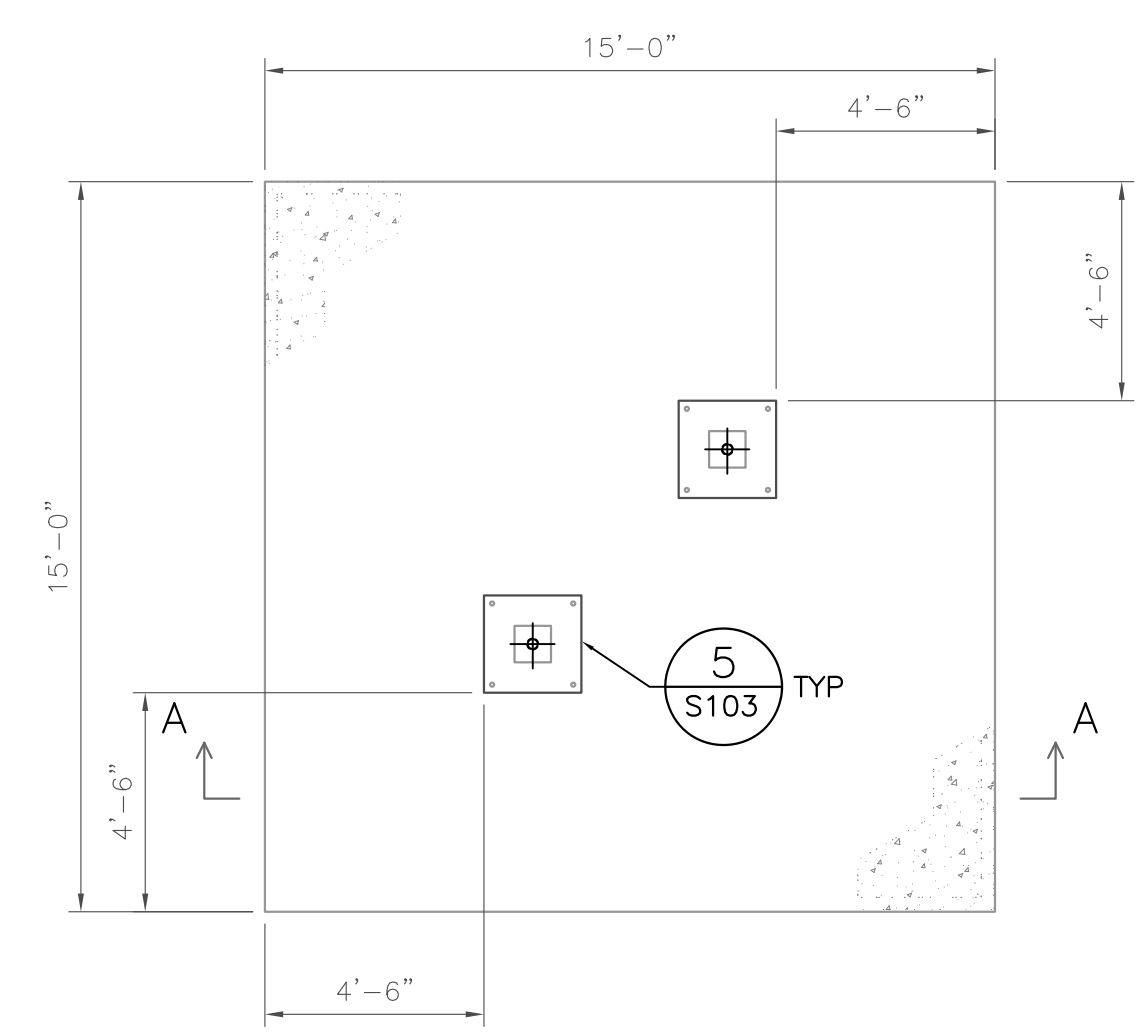
BAR ID	BAR QTY PER FDN	TOTAL QTY
BAR A	75	150
BAR B	12	24
BAR C	10	20

REBAR SCHEDULE  
SCALE: 1/2" = 1'-0"

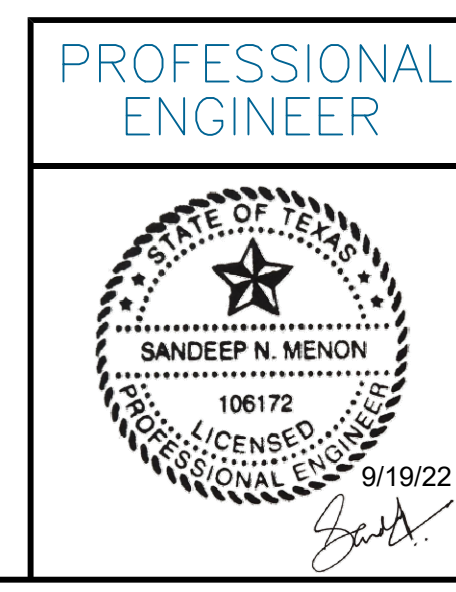


- TETHER INSTALLATION NOTES:
- TETHER SLING RATED CAPACITY 55 KIP
  - APPROXIMATE LENGTH = L1 + L2  
WEST FORK = 225'  
L1 = LENGTH FROM SWIVEL TO BUOY = 160'  
L2 = LENGTH OF SLACK = 65'  
CLEAR FORK = 150'  
L1 = LENGTH FROM SWIVEL TO BUOY = 95'  
L2 = LENGTH OF SLACK = 65'

TETHER FOUNDATION SECTION A-A  
SCALE: 1/2" = 1'-0"



2 TETHER FOUNDATION PLAN  
S105 SCALE: 1/4" = 1'-0"



REV	DESCRIPTION	TF	SM	BP	DATE
0	FOR PERMIT				9/19/22

PROFESSIONAL ENGINEER

**ENERCON**  
FORT WORTH, TX

CITY OF FORT WORTH  
FORT WORTH, TEXAS

TRINITY RIVER TRASH WHEEL  
STRUCTURAL & FOUNDATION DETAILS

SIZE DWG NO.  
D FWTHS-00259-DWG-S105

SCALE AS SHOWN SHEET 1 of 1